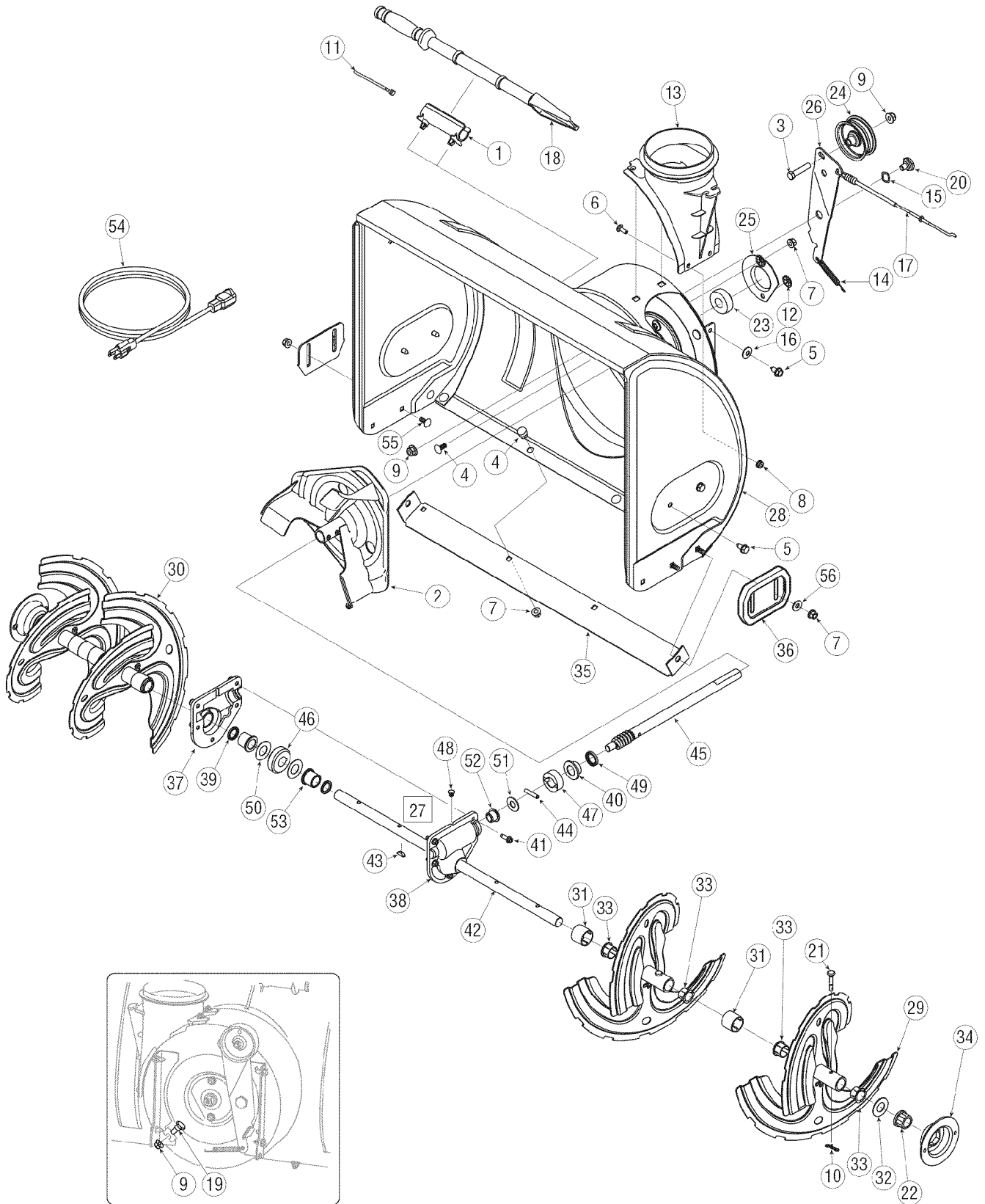


PARTS LIST

Craftsman Snow Thrower Model 247.889571



PARTS LIST

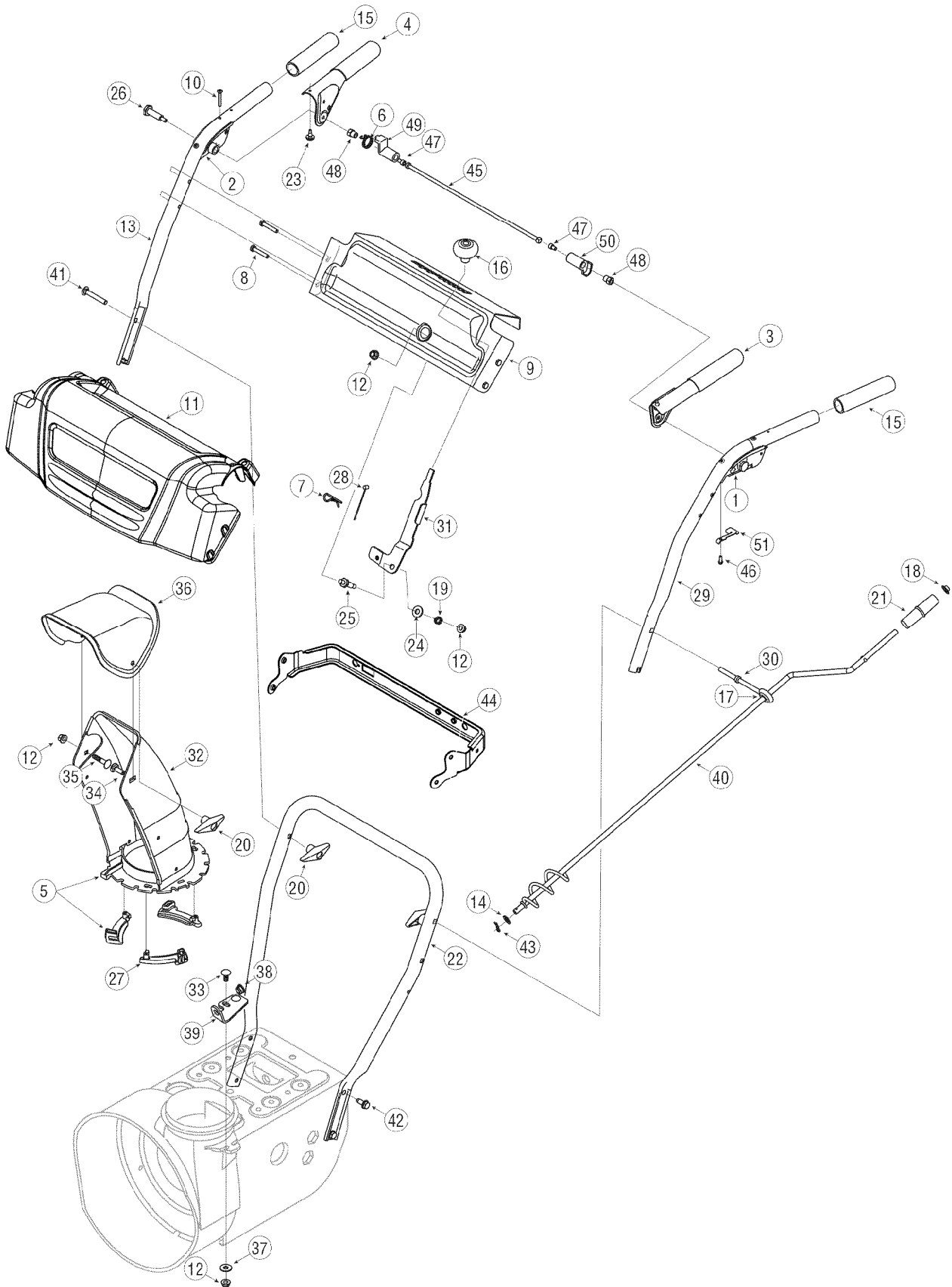
Craftsman Snow Thrower Model 247.889571

| Ref. No. | Part No. | Description |
|----------|-----------------|-------------------------------------|
| 1. | 731-2635 | Snow Removal Tool Mount |
| 2. | 684-04057A-0637 | Impeller Assembly, 12" Dia. |
| 3. | 710-0347 | Hex Screw, 3/8-16, 1.75, Gr5 |
| 4. | 710-0451 | Bolt, Carriage, 5/16-18, .750 Gr1 |
| 5. | 710-04484 | Screw, 5/16-18, 0.750 |
| 6. | 710-0703 | Screw, Carriage, 1/4-20, .750, Gr5 |
| 7. | 712-04063 | Nut, Flange Lock, 5/16-18, Nylon |
| 8. | 712-04064 | Nut, Flange Lock, 1/4-20, Nylon |
| 9. | 712-04065 | Nut, Flange Lock, 3/8-16, Nylon |
| 10. | 714-04040 | Cotter Pin, Bow-tie |
| 11. | 725-0157 | Cable, Tie, 3/16 x .05 x 7.4 |
| 12. | 926-04012 | Nut, Push-on, .25 Dia |
| 13. | 731-04705D | Chute, Adapter 5" Dia |
| 14. | 732-04460 | Spring, Extension, .38 OD x 4.59 |
| 15. | 736-0174 | Washer, Wave, .625 x .885 x .015 |
| 16. | 736-0242 | Washer, Bell, .340 x .872 x .060 |
| 17. | 746-04230 | Clutch Cable, Auger, 47.23" |
| 18. | 931-2643 | Snow Removal Tool |
| 19. | 738-0143 | Screw, Shoulder, .498 x .34, 3/8-16 |
| 20. | 938-0281 | Screw, Shoulder, .625 x .17, 3/8-16 |
| 21. | 738-04124A | Shear Pin, .25 x 1.50 |
| 22. | 941-0245 | Bearing, Hex Flange x .75 ID |
| 23. | 941-0309 | Bearing, Ball, .75 ID x 1.85 OD |
| 24. | 756-04224 | Flat Pulley, Idler, 2.75 OD |
| 25. | 790-00075 | Housing, Bearing, 1.85 ID |
| 26. | 790-00080A-0637 | Bracket, Auger Idler w/ Brake |
| 27. | 918-04171B | Gearbox Assembly, Auger, 24" |
| 28. | 684-04265-4044 | Housing Assembly, Auger 24" |

| Ref. No. | Part No. | Description |
|----------|-----------------|------------------------------------|
| 29. | 684-04107-0637 | Spiral Assembly, LH |
| 30. | 684-04108-0637 | Spiral Assembly, RH |
| 31. | 731-04870 | Spacer, 1.25 OD x .75 ID x 1.00 |
| 32. | 736-0188 | Washer, Flat, .76 x 1.49 x .06 |
| 33. | 741-0493A | Bushing, Flange, .80 ID x .91 OD |
| 34. | 790-00087A-0637 | Housing, 1" Hex Bearing |
| 35. | 790-00120-4044 | Shave Plate, 2.25 x 23.66 |
| 36. | 731-06439 | Slide Shoe |
| 37. | 918-0123A | Housing, Auger, RH |
| 38. | 918-0124A | Housing, Auger, LH |
| 39. | 921-0338 | Seal, Oil, .750 x 1.00 x .125 |
| 40. | 741-0662 | Bearing, Flange, .75 x 1.0 x .59 |
| 41. | 710-0642 | Screw, Self-tapping, 1/4-20, 0.750 |
| 42. | 711-04285 | Axle, Auger, 24" |
| 43. | 914-0161 | Key, Hi-pro 3/16 x 5/8 |
| 44. | 715-04021 | Pin, Dowel, .25 OD x 1.2 |
| 45. | 917-04126 | Shaft, Worm .75 OD |
| 46. | 917-04861 | Gear, Worm 20T |
| 47. | 718-04071 | Collar, Thrust |
| 48. | 721-0325 | Plug, 1/4 x .437 |
| 49. | 721-0327 | Seal, Oil, .75 x 1 x .131 |
| 50. | 936-0351 | Washer, Flat, .760 ID x 1.5 OD |
| 51. | 736-3084 | Washer, Flat, .51 x 1.12 |
| 52. | 741-0663 | Bearing, Flange, .75 x 1.0 x .925 |
| 53. | 741-0661A | Bearing, Flange, .75 x 1.00 x .975 |
| 54. | 929-0071A | Extension Cord, 110V |
| 55. | 710-0276 | Screw, Carriage, 5/16-18 x 1.00 |
| 56. | 936-0159 | Washer, Flat, .349 x .879 x .063 |

PARTS LIST

Craftsman Snow Thrower Model 247.889571



PARTS LIST

Craftsman Snow Thrower Model 247.889571

| Ref. No. | Part No. | Description |
|----------|-----------------|--|
| 1. | 631-04133A | Handle Assembly, Clutch Lock, LH |
| 2. | 631-04134B | Handle Assembly, Clutch Lock, RH |
| 3. | 684-04111B | Handle Ass'y, Engage, Red, LH |
| 4. | 684-04112B | Handle Ass'y, Engage, Red, RH |
| 5. | 631-04131B | Chute, Lower (Incl. Ref. # 27, Qty. 3) |
| 6. | 732-04238 | Spring, Torsion, .8156 ID x .3038 |
| 7. | 914-0145 | Click Pin |
| 8. | 710-04586 | Screw, 1/4-20 x 1.625 |
| 9. | 790-00219-4044 | Panel, Handle, (no cutout) |
| 10. | 710-1233 | Screw, Machine, #10-24, 1.375 |
| 11. | 731-06471 | Handle Panel Cover |
| 12. | 712-04063 | Nut, Flange Lock, 5/16-18, Nylon |
| 13. | 749-04190A-0637 | Handle, Upper, RH |
| 14. | 936-0185 | Washer, Flat, .375 x .738 x .063 |
| 15. | 720-0274 | Grip, 1.0 ID x 5.0 |
| 16. | 720-04039 | Knob, Shift, Black |
| 17. | 735-0234 | Grommet, .44 ID x .94 OD x .50 |
| 18. | 926-0100 | Cap, Push, 3/8 Rod |
| 19. | 732-0193 | Spring, .39 x .60 x .88 |
| 20. | 720-0284 | Knob, 5/16-18, Black |
| 21. | 720-0201A | Crank Knob, 1.0 Dia. x 3.2, Black |
| 22. | 749-04138A-0637 | Handle, Lower |
| 23. | 935-0199A | Bumper, Rubber, .62 OD x .22 |
| 24. | 736-0262 | Washer, Flat, .385 x .870 x .092 |
| 25. | 738-04118 | Bolt, Shoulder, 5/16-18 x 0.905 |
| 26. | 738-04348 | Screw, Shoulder, .43 x 1.3, 1/4-20 |

| Ref. No. | Part No. | Description |
|----------|-----------------|--------------------------------|
| 27. | 731-04869A | Chute, Flange Keeper |
| 28. | 946-04397A | Cable, Speed Selector |
| 29. | 749-04191A-0637 | Handle, Upper, LH |
| 30. | 747-04263 | Eye Bolt, Chute Crank |
| 31. | 790-00313-0637 | Shift Lever |
| 32. | 731-04912B | Chute, Lower, 5.0 Dia. |
| 33. | 710-0276 | Bolt, Carriage, 5/16-18, 1.0 |
| 34. | 710-04071 | Bolt, Carriage, 5/16-18, 1.0 |
| 35. | 710-0451 | Bolt, Carriage, 5/16-18, .750 |
| 36. | 731-04426A | Chute, Upper, w/ Label |
| 37. | 936-0159 | Washer, .349 x .879 x .063 |
| 38. | 941-0475 | Bushing, Plastic, .380 |
| 39. | 784-5647-0637 | Bracket, Chute Crank |
| 40. | 684-04104-0637 | Crank Assembly, Chute |
| 41. | 710-0449 | Screw, Carriage, 5/16-18, 2.25 |
| 42. | 710-04484 | Screw, 5/16-18, 2.25, Gr5 |
| 43. | 914-0104 | Pin, Cotter, .072 x 1.13 |
| 44. | 790-00248B-0637 | Bracket, Panel |
| 45. | 684-04250 | Rod, Pivot |
| 46. | 710-04326 | Screw, #8-16 x .50 |
| 47. | 710-3069 | Screw, 1/4-20 x .50 |
| 48. | 712-04081A | Nut, Hex, 1/4-20 |
| 49. | 731-04894D | Plate, Lock |
| 50. | 731-04896B | Cam, Clutch Lock |
| 51. | 732-04219C | Spring, Clutch Lock |
| | | |

PARTS LIST

Craftsman Snow Thrower Model 247.889571

| Ref. No. | Part No. | Description |
|----------|-----------------|-------------------------------------|
| 1. | 656-04055 | Disc Assembly, Friction Wheel |
| 2. | 684-04153 | Friction Wheel Assembly, 5.5 OD |
| 3. | 684-04154B-0637 | Support Bracket, Friction Wheel |
| 4. | 684-04156A | Shift Assembly, Rod |
| 5. | 710-0627 | Hex Screw, 5/16-24, .750, Gr5 |
| 6. | 710-0788 | Screw, 1/4-20, 1.000 |
| 7. | 710-1652 | Screw, 1/4-20 x .625 |
| 8. | 712-04065 | Nut, Flange Lock, 3/8-16, Nylon |
| 9. | 712-0417A | Nut, Flange, 5/8-18 |
| 10. | 914-0126 | Key, Hi Pro, 3/16 x 3/4 Dia. |
| 11. | 916-0104 | E-ring, .500 Dia. |
| 12. | 716-0136 | E-ring, Retaining, .875 Dia. |
| 13. | 916-0231 | E-ring, .750 Dia. |
| 14. | 917-04209A | Hex Shaft, .8125, 7-Tooth |
| 15. | 917-04230 | Gear, 80-Tooth |
| 16. | 726-0221 | Speed Nut, .500 |
| 17. | 932-0264 | Extension Spring |
| 18. | 736-0242 | Washer, Bell, .340 x .872 x .060 |
| 19. | 936-0287 | Washer, Flat, .793 x 1.24 x .060 |
| 20. | 736-04161 | Washer, Flat, .75 x 1.00 x .060 |
| 21. | 790-00289A-0637 | Plate, Cover |
| 22. | 738-04439 | Shoulder Screw |
| 23. | 738-04184A | Screw, Shoulder, .37 x .105, 1/4-20 |
| 24. | 738-0924A | Screw, 1/4-28, .375 |
| 25. | 941-0245 | Bearing, Hex Flange x .75 ID |
| 26. | 941-0563 | Bearing, Ball, 17 x 40 x 12 |
| 27. | 746-04229 | Clutch Cable, Wheel, 44.95" |
| 28. | 935-04054 | Rubber, Friction Wheel, 5.5 OD |
| 29. | 748-0190 | Spacer, .508 ID x .75 OD x .68 |
| 30. | 756-0625 | Roller, Cable |
| 31. | 790-00096-0637 | Front Guide Bracket, Auger Cable |
| 32. | 790-00180A-4044 | Frame |
| 33. | 790-00206A-0637 | Guide Bracket, Auger Cable |
| 34. | 790-00207B | Guide Bracket, Drive Cable |
| 35. | 790-00316-0637 | Cover, Frame |
| 36. | 634-04167A-0911 | LH Wheel Assembly |
| | 634-04168A-0911 | RH Wheel Assembly |

| Ref. No. | Part No. | Description |
|----------|-----------------|-------------------------------------|
| 37. | 731-04873 | Spacer, 1.25 x .75 x 3.0 |
| 38. | 938-04168 | Axle, .75 x 22" |
| 39. | 736-0329 | Washer, Lock, 1/4 |
| 40. | 710-0809 | Hex Screw, 1/4-20, 1.25, Gr5 |
| 41. | 710-0191 | Hex Screw, 3/8-24, 1.25, Gr8 |
| 42. | 710-0672 | Hex Screw, 5/16-24, 1.25, Gr5 |
| 43. | 710-0654A | Screw, Sems, 3/8-16, 1.00 |
| 44. | 710-1245B | Hex Screw, 5/16-24, .875, Gr8 |
| 45. | 710-0896 | Screw, 1/4-20 x .625 |
| 46. | 926-04012 | Nut, Push-on, .25 Dia. |
| 47. | 731-04792A | Cover, Belt |
| 48. | 732-04308A | Spring, Torsion, .850 ID x .354 |
| 49. | 736-0247 | Washer, Flat, .406 x 1.25 x .157 |
| 50. | 936-0119 | Washer, Lock .3125 |
| 51. | 736-0505 | Washer, Flat, .34 x 1.50 x .150 |
| 52. | 748-04053A | Pulley, Adapter, .75 Dia. |
| 53. | 748-04112B | Spacer, Shoulder, .317 x .50 x .102 |
| 54. | 750-04303 | Spacer, .875 ID x 1.185 OD |
| 55. | 750-04477A | Spacer, .340 x .750 x .360 |
| 56. | 954-04050 | Belt, Auger Drive |
| 57. | 954-04260 | Belt, Wheel Drive |
| 58. | 756-04109 | Pulley, Auger Drive, 8.1 x .5 |
| 59. | 756-04113 | Pulley, Half, V x 2.600 OD |
| 60. | 756-04252 | Pulley, Half, 3/8-V x 1.7160 OD |
| 61. | 790-00208C | Idler Bracket, Wheel Drive |
| 62. | 684-04169 | Idler Pulley Assembly |
| 63. | 750-04571 | Spacer, Shoulder, .26 x .79 x .538 |
| 64. | 735-04099 | Plug, 3/8 ID |
| 65. | 735-04100 | Plug, 1/2 ID |
| 66. | 712-04064 | Nut, Flange Lock, 1/4-20, Nylon |
| 67. | 710-0751 | Hex Screw, 1/4-20, .620, Gr5 |
| 68. | 732-04311 | Spring, Torsion, .750 ID x .968 |
| 69. | 712-04063 | Nut, Flange Lock, 5/16-18, Nylon |
| 70. | 936-3015 | Wash., Flat, .469 x .875 x .105 |
| 71. | 790-00217A-0637 | Pivot Bracket, Speed Selector |
| 72. | 790-00218A-0637 | Shift Bracket, Speed Selector |


PARTS LIST

Craftsman Snow Thrower Model 247.889571

777S32636

777X43688


CLEAN-OUT TOOL



5. READ OPERATOR'S MANUAL.
 4. TO AVOID THROWN OBJECTS INJURIES, NEVER DIRECT DISCHARGE AT BYSTANDERS. USE EXTRA CAUTION WHEN OPERATING ON GRAVEL SURFACES.
 3. DISENGAGE CLUTCH LEVERS, STOP ENGINE, AND REMAIN BEHIND HANDLES UNTIL ALL MOVING PARTS HAVE STOPPED BEFORE UNBLOCKING OR SERVICING MACHINE.
 2. USE CLEAN-OUT TOOL TO UNBLOCK DISCHARGE CHUTE.
 1. KEEP AWAY FROM ROTATING IMPELLER AND AUGER. CONTACT WITH IMPELLER OR AUGER CAN AMPUTATE HANDS AND FEET.


DANGER

DANGER



AVOID INJURY FROM ROTATING AUGER - KEEP HANDS, FEET AND CLOTHING AWAY.

DO NOT USE E85 OR FUEL CONTAINING MORE THAN 10% ETHANOL



TO AVOID ENGINE DAMAGE

777S32236

777D12682

DANGER




- NEVER PUT HAND IN CHUTE. CONTACT WITH ROTATING PARTS CAN AMPUTATE FINGERS AND HANDS.
- SHUT OFF ENGINE AND WAIT UNTIL ALL MOVING PARTS HAVE STOPPED BEFORE UNBLOCKING.
- USE CLEAN-OUT TOOL OR WOODEN STICK TO UNBLOCK DISCHARGE CHUTE.

777D12657






777I22363

DRIVE AUGER LOCK



STOP

777D12648



777I23031



777I23030

AUGER CONTROL



CHUTE DIRECTIONAL CONTROL



STARTING INSTRUCTIONS:

- 1.) INSERT IGNITION KEY AND SNAP IN PLACE.
- 2.) SET CHOKE AND THROTTLE TO FULL (ON) POSITION. PUSH PRIMER SW.
- 3.) ROPE START: PULL SLOWLY UNTIL HARDER TO PULL, THEN PULL RAPIDLY TO START. REPEAT PRIMING IF NEEDED.

ELECTRIC START: DO NOT USE IN RAIN. CONNECT POWER CORD AND PUSH STARTER BUTTON. REPEAT PRIMING IF NEEDED.

- 4.) MOVE CHOKE SLOWLY TO OFF POSITION.
- 5.) TO STOP ENGINE: MOVE THROTTLE TO STOP POSITION.

DRIVE CONTROL



777D11427

CRAFTSMAN

24" CLEARING WIDTH

ELECTRIC START